

TW Muller

AUTOMATED PALLET WRAPPING
EFFICIENT • ECONOMICAL • SAFE

GaleWrap • GW 4100

Choose the Robot Pallet Wrapper That Goes Anywhere

The **GW-4100** is the perfect solution for your specific load and speed needs. Use it with GaleWrap-oriented film to eliminate load failures and assure:

- Better product protection and wrapping consistency
- Less waste
- Time and cost savings
- Improved employee safety

Easy Does It

With its height-adjustable mast, the **GW-4100** is easy to move throughout your warehouse.

Simple installation; the **GW-4100** will be up and running in minutes.



Wraps up to 7'6"

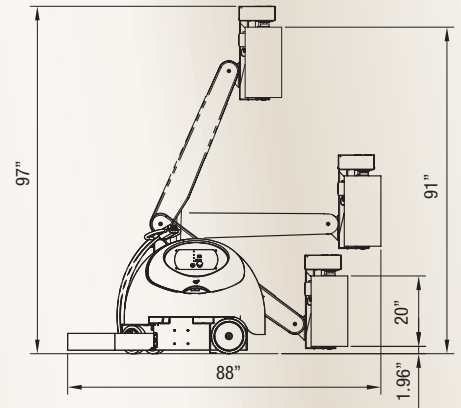
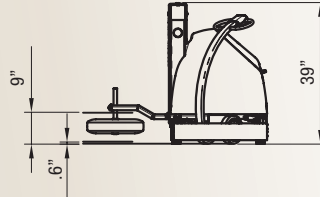
Adjustable mast means your GW-4100 can go wherever you need it to go—no limitations

SPECIFICATIONS →

GaleWrap • GW 4100

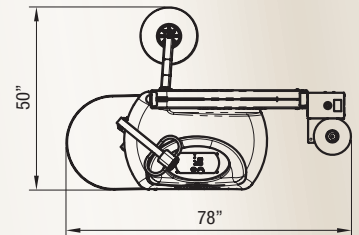
Performance Features You Want

- Telescoping mast—the GW-4100 goes anywhere in your warehouse—no height worries:
 - > Accommodates loads up to 7' 6" high (91")
 - > Arm never needs maintenance
- Built-in film cutter – ensures safety at completion of wrap cycle
- Counter balance wheel – allows user to wrap any size pallet



Speed and Ease

- Fast wrap pace:
 - > Handles up to 37 loads/hour
 - > Completes a load of any shape, weight, and size in less than one minute
- Efficient operation – wraps up to 300 pallets on a single charge
- Incredibly flexible – 99 pre-set wrapping cycles and the possibility of programming an unlimited number of options
- Self-propelled – easy to move to wherever needed



Compact size fits anywhere, goes anywhere needed

Trouble-free Operation

- Wrap-up/wrap-down cycle – fully automated
- Independent top and bottom wrap-pattern selection – opt for 1-20 wraps
- Automatic and manual pallet height control – assures greater flexibility
- Simplified control-panel functions – including electromagnetic friction adjustable brake

Unprecedented Safety

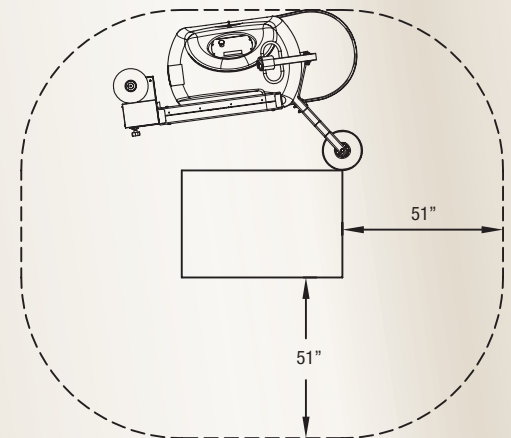
- Enhanced safety cutter – minimizes risk of injury
- Push/pull mushroom emergency stop button – for operator protection
- Safety contact edge – stops all power to the machine
- Low voltage – reduces shock hazard

Electrical and Technical/Size Specifications

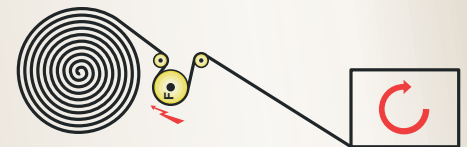
- Driving voltage – 24V/DC
- Built-in battery charger – 230 volt 50/60 Hz mono-phase
- Minimum pallet dimensions for wrapping – 2' x 2'
- Standard pallet height for wrapping – up to 6' 11"
- Machine weight – 715 lbs

Flawless Film Delivery

- Carriage is optimized for GaleWrap-oriented film
- Tension adjusts electronically from the control panel
- Loads and unloads easily – a simple process



Flexible wrapping cycles and simplified control panel



Easy-to-load carriage assembly